

HADK-W301

FLUID HAMMER (WAI IR3.5)



Key features

- Hi-frequency environmentally friendly drilling for fastest penetration rates
- Customizable to optimize performance in open hole or cased hole projects.
- Bit sizes 3.5 - 4" / 89 - 102mm
- Low Maintenance: Simple service ECO kits for self service schedules
- Premium alloy and unique surface treatments used for longer lasting tools
- Optional smooth wear sleeve or with integrated stabilizing ribs for minimized hole deviation
- Lower Operating costs due to reduced energy consumption
- Will drill a straighter hole than a conventional air hammer

Parts List (WAI IR3.5)

NO	Part Name	Qty	Part Number
1	Top Sub	1	HPDK-W3002
2	Top Sub O-Ring	1	See Sealkit
3	Filter Cage	1	HPDK-W3027
4	Filter	1	HPDK-W3026
5	Check Valve	1	HPDK-W3004
6	C.V. Spring	1	HPDK-W3003
7	C.V. Seat	1	HPDK-W3005
8	Metal Washers	2	See Sealkit
9	Valve Cap	1	HPDK-W3025
10	Valve Cap O-Ring	1	See Sealkit
11	Wear Bushing	1	HPDK-W3024
12	Valve	1	HPDK-W3007
13	Valve Housing	1	HPDK-W3010
14	Valve Housing Seal	1	See Sealkit
15	Valve Housing Seal	1	See Sealkit
16	Valve Housing Seal	1	See Sealkit
17	Inner Tube	1	HPDK-W3009
18	Piston	1	HPDK-W3014
19	Cylinder	1	HPDK-W3012
20	Piston Bushing O-Ring	1	See Sealkit
21	Piston Bearing	1	HPDK-W3021
22	Piston Bushing Seal	1	See Sealkit
23	Piston Bushing O-Ring	1	See Sealkit
24	Piston Bushing Seal	1	See Sealkit
25	Piston Bushing O-Ring	1	See Sealkit
26	Piston Bushing Seal	1	See Sealkit
27	Piston Bushing O-Ring	1	See Sealkit
28	Wear Sleeve	1	HPDK-W3001
29	Bit Bearing	1	HPDK-W3020
30	Bit Ret. Ring	1	HPDK-W3018
31	Bit Ret. O-Ring	1	See Sealkit
32	Drive Sub	1	HPDK-W3022
	Sealkit (Items 2, 8, 10, 14-16, 20, 22-27, 31)	1	HPDK-W30SEALKIT
	Complete Hammer		HADK-W30I

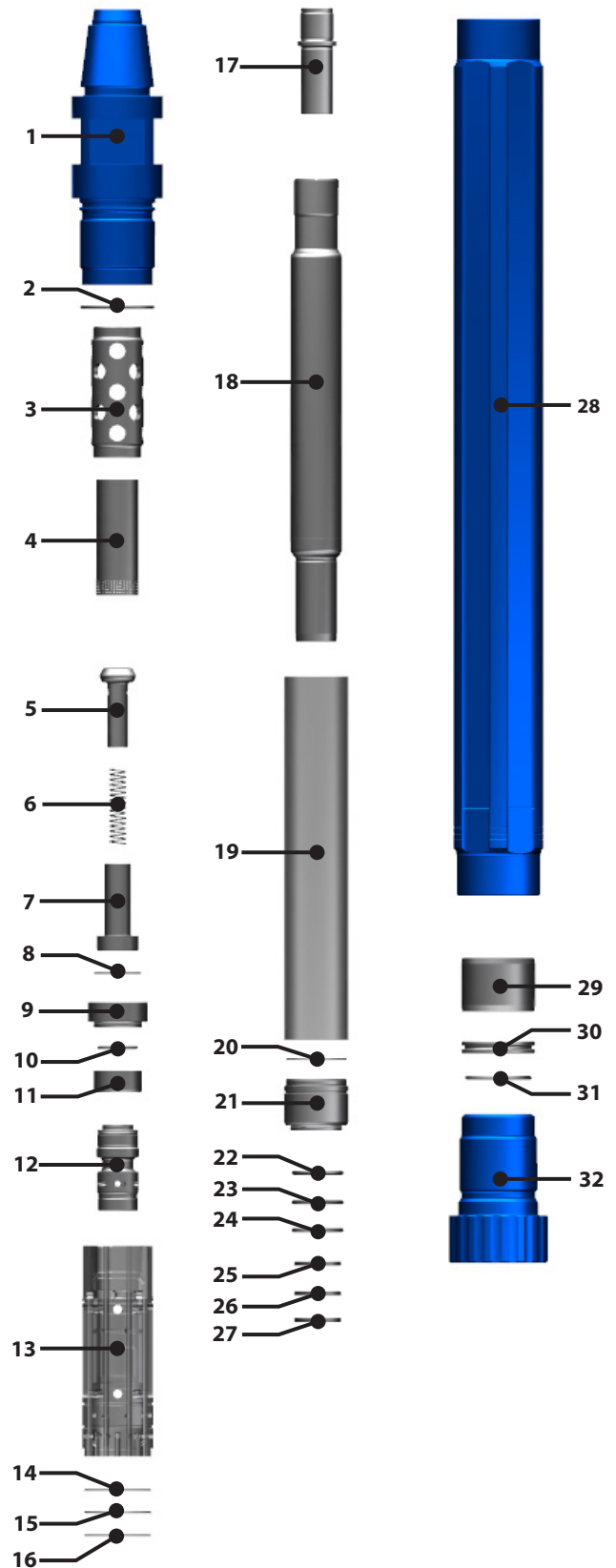
Dimensions & Weights

Top Sub	2 3/8" API REG PIN
OAL (in / mm)	38.5 / 978
OD Range (in / mm)	3.62 / 92
Weight w/o bit (lbs / Kg)	74.3 / 34
Piston Weight (lbs / Kg)	10.5 / 4.77

Drilling Parameters

Working Pressure (PSI / Bar)	900-2450 / 62-238
Application Bit (in / mm)	3.5-4 / 89-102
Feed Force (FT-lbs / M-Kg)	1600-2300 / 221-318
Rotation Speed (RPM)	60-95
Rotation Torque (FT-lbs / M-Kg)	600-1090 / 83-151
Frequency (blows / min)	3570

Exploded view



Fluid Consumption

PSI	Min	Max
New (Gal/Min)	20	40
Worn (Gal/Min)	45	80