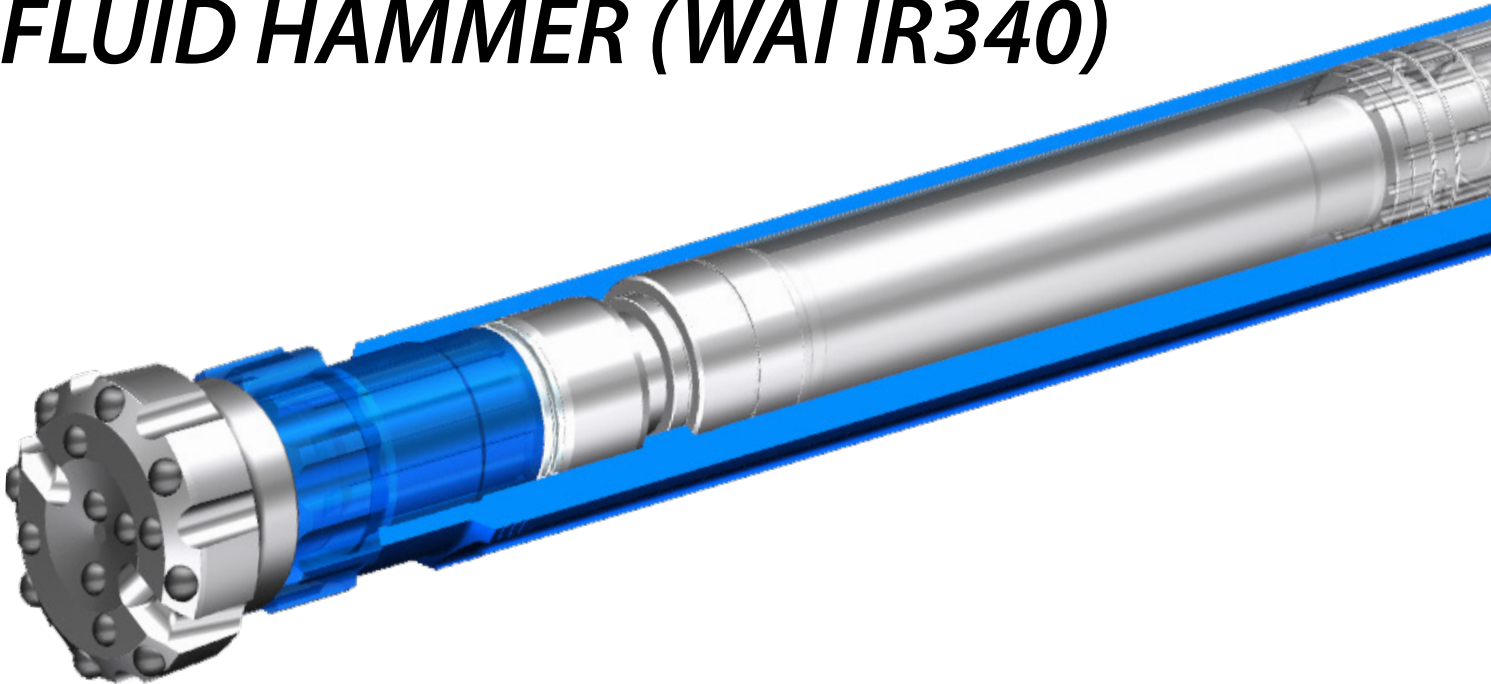


HADK-W40I

FLUID HAMMER (WAI IR340)



Key features

- Hi-frequency environmentally friendly drilling for fastest penetration rates
- Customizable to optimize performance in open hole or cased hole projects.
- Bit sizes 4.5 - 5" / 114 - 127mm
- Low Maintenance: Simple service ECO kits for self service schedules
- Premium alloy and unique surface treatments used for longer lasting tools
- Optional smooth wear sleeve or with integrated stabilizing ribs for minimized hole deviation
- Lower Operating costs due to reduced energy consumption
- Will drill a straighter hole than a conventional air hammer

Parts List (WAI IR340)

NO	Part Name	Qty	Part Number
1	Top Sub	1	HPDK-W4002
2	Top Sub O-Ring	1	See Sealkit
3	Filter Cage	1	HPDK-W4027
4	Filter	1	HPDK-W4026-1
5	Check Valve	1	HPDK-W4004
6	C.V. Spring	1	HPDK-W4003
7	C.V. Seat	1	HPDK-W4005
8	Upper Valve Cap	1	See Sealkit
9	Valve Cap	1	HPDK-W4025
10	Valve Cap O-Ring	1	See Sealkit
11	Wear Bushing	1	HPDK-W4024
12	Valve	1	HPDK-W4007
13	Valve Housing	1	HPDK-W4010
14	Valve Housing Seal	1	See Sealkit
15	Valve Housing Seal	1	See Sealkit
16	Valve Housing Seal	1	See Sealkit
17	Valve Housing Seal	1	See Sealkit
18	Inner Tube	1	HPDK-W4009
19	Piston	1	HPDK-W4014
20	Cylinder	1	HPDK-W4012
21	Piston Bushing Seal OD	1	See Sealkit
22	Piston Bearing	1	HPDK-W4021
23	Piston Bushing Seal ID	1	See Sealkit
24	Piston Bushing Seal ID	1	See Sealkit
25	Piston Bushing Seal ID	1	See Sealkit
26	Piston Bushing Seal ID	1	See Sealkit
27	Piston Bushing Seal ID	1	See Sealkit
28	Piston Bushing Seal ID	1	See Sealkit
29	Wear Sleeve	1	HPDK-W4001
30	Bit Bearing	1	HPDK-W4020
31	Bit Ret. Ring	1	HPDK-W4018
32	Bit Ret. O-Ring	1	See Sealkit
33	Drive Sub	1	HPDK-W4022
	Sealkit (Items 2, 8, 10, 14-17, 21, 23-28, 32)	1	HPDK-W40SEALKIT
	Complete Hammer		HADK-W40I

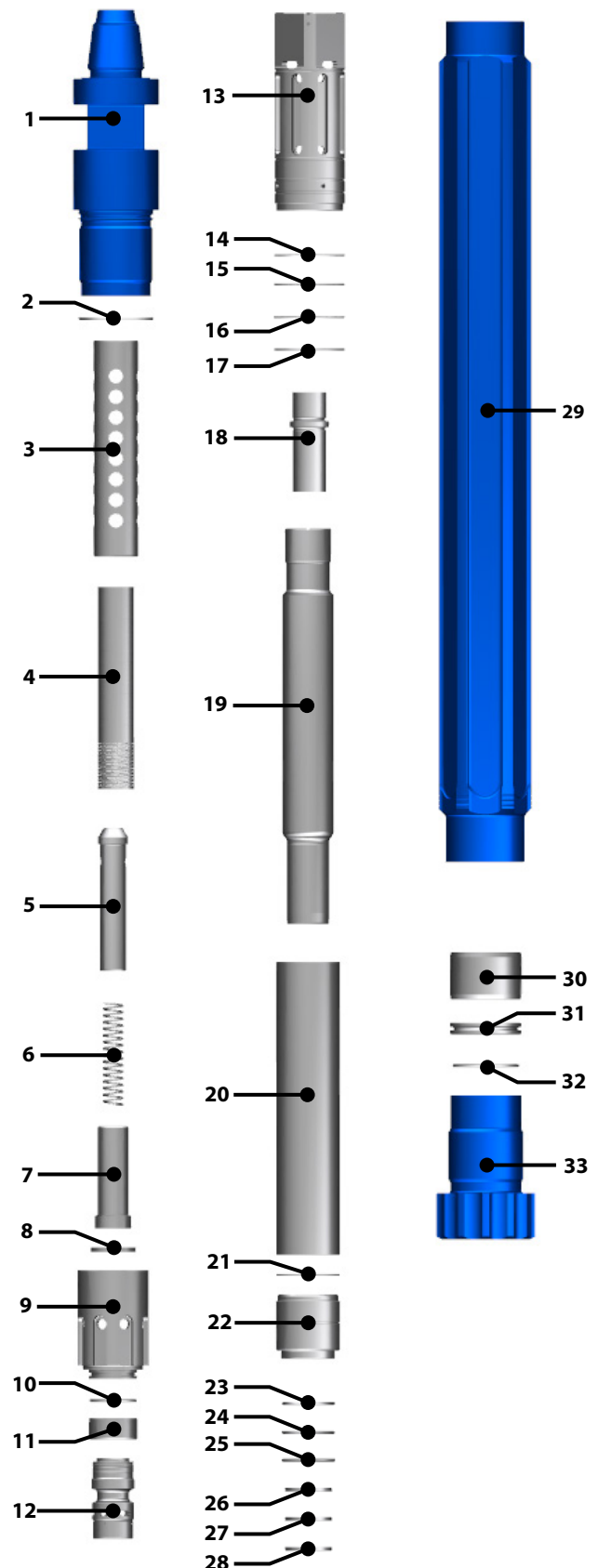
Dimensions & Weights

Top Sub	2 3/8" API REG PIN
OAL (in / mm)	48.5 / 1232
OD Range (in / mm)	4.37 / 111
Weight w/o bit (lbs / Kg)	129 / 59
Piston Weight (lbs / Kg)	18 / 8.2

Drilling Parameters

Working Pressure (PSI / Bar)	900-2450 / 62-169
Application Bit (in / mm)	4.5-5 / 114-127
Feed Force (FT-lbs / M-Kg)	1850-4600 / 256-636
Rotation Speed (RPM)	50-85
Rotation Torque (FT-lbs / M-Kg)	750-1500 / 104-207
Frequency (blows / min)	3870

Exploded view



Fluid Consumption

PSI	Min	Max
New (Gal/Min)	35	60
Worn (Gal/Min)	65	100