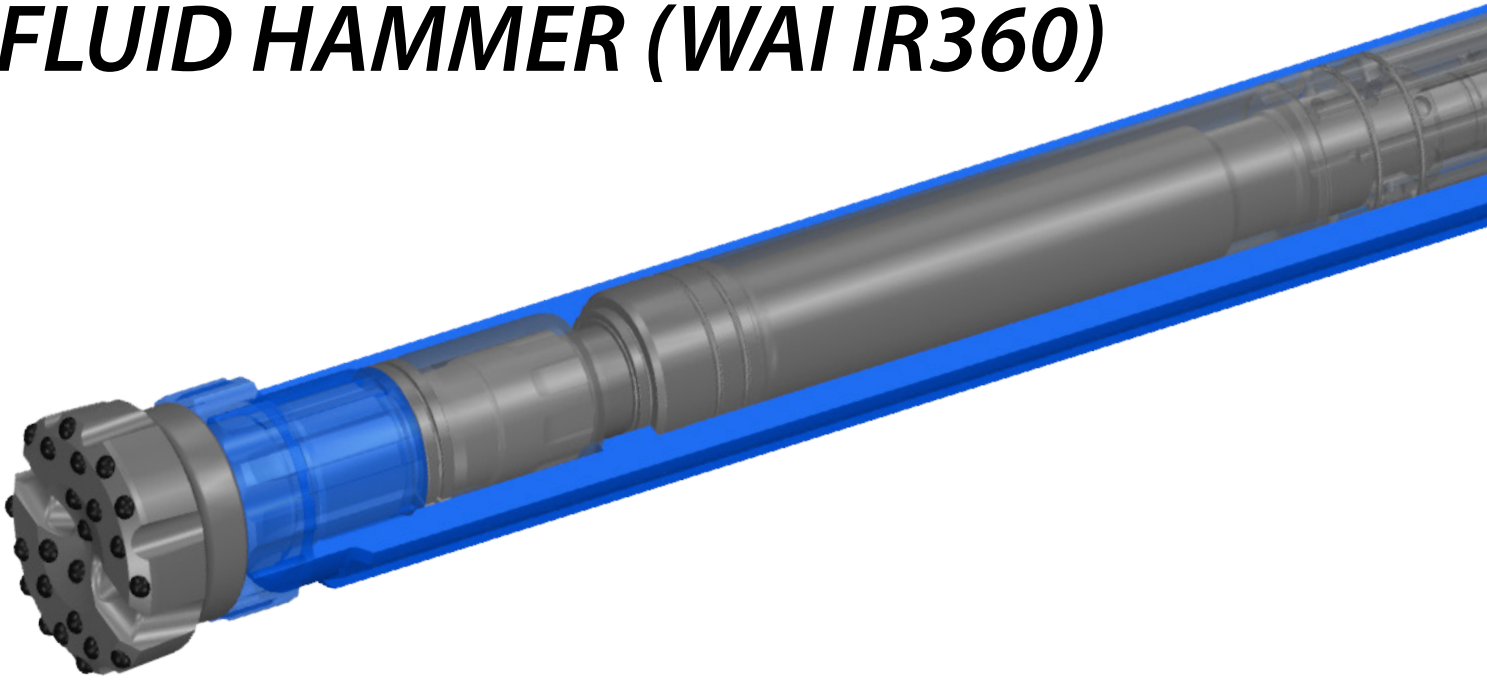


HADK-W60I

FLUID HAMMER (WAI IR360)



Key features

- Hi-frequency environmentally friendly drilling for fastest penetration rates
- Customizable to optimize performance in open hole or cased hole projects
- Bit sizes 6.5 - 8" / 165 - 203mm
- Low Maintenance: Simple service ECO kits for self service schedules
- Premium alloy and unique surface treatments used for longer lasting tools
- Optional smooth wear sleeve or with integrated stabilizing ribs for minimized hole deviation
- Lower Operating costs due to reduced energy consumption
- Will drill a straighter hole than a conventional air hammer

Parts List (WAI IR360)

NO	Part Name	Qty	Part Number
1	Top Sub	1	HPDK-W6002
2	Top Sub O-Ring	1	See Sealkit
3	Filter Cage	1	HPDK-W6027
4	Filter	1	HPDK-W6026-2
5	Check Valve	1	HPDK-W6004
6	C.V. Spring	1	HPDK-W6003
7	C.V. Seat	1	HPDK-W6005
8	Upper Valve Cap	1	See Sealkit
9	Valve Cap	1	HPDK-W6025
10	Valve Cap O-Ring	1	See Sealkit
11	Valve	1	HPDK-W6007
12	Valve Housing	1	HPDK-W6010
13	Valve Housing Seal	1	See Sealkit
14	Valve Housing Seal	1	See Sealkit
15	Valve Housing Seal	1	See Sealkit
16	Inner Tube	1	HPDK-W6009
17	Piston	1	HPDK-W6014
18	Cylinder	1	HPDK-W6012
19	Piston Bushing Seal OD	1	See Sealkit
20	Piston Bushing Seal OD	1	See Sealkit
21	Piston Bearing	1	HPDK-W6021
22	Piston Bushing Seal ID	1	See Sealkit
23	Piston Bushing Seal ID	1	See Sealkit
24	Piston Bushing Seal ID	1	See Sealkit
25	Piston Bushing Seal ID	1	See Sealkit
26	Piston Bushing Seal ID	1	See Sealkit
27	Piston Bushing Seal ID	1	See Sealkit
28	Wear Sleeve	1	HPDK-W6001
29	Bit Bearing	1	HPDK-W6020
30	Bit Ret. Ring	1	HPDK-W6018
31	Bit Ret. O-Ring	1	See Sealkit
32	Drive Sub	1	HPDK-W6022
	Sealkit (Items 2, 8, 10, 13-15, 19, 20, 22-27, 31)	1	HPDK-W60SEALKIT
	Complete Hammer		HADK-W60I

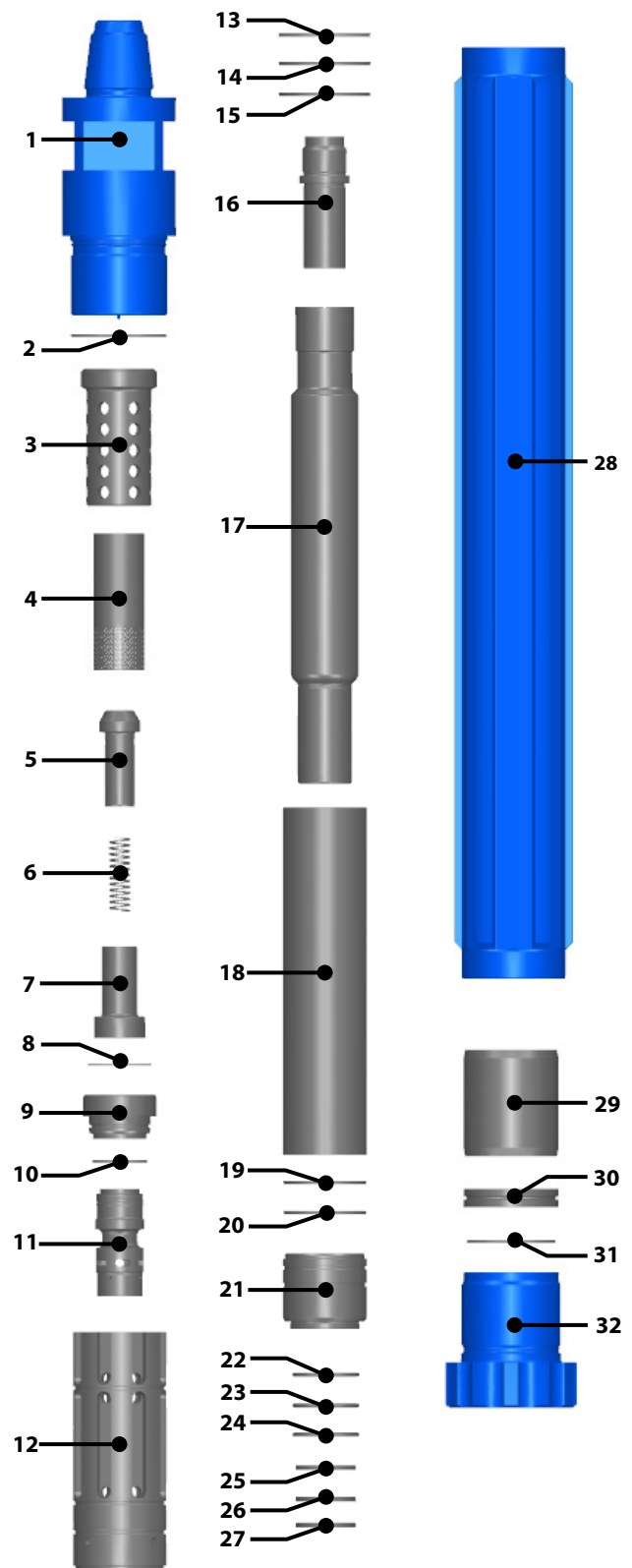
Dimensions & Weights

Top Sub	3 1/2" API REG PIN
Effective Length (in / mm)	58.89 / 1496
OD Range (in / mm)	6.29 / 160
Weight w/o bit (lbs / Kg)	325 / 148
Piston Weight (lbs / Kg)	50 / 23

Drilling Parameters

Working Pressure (PSI / Bar)	750-2150 / 52-148
Application Bit (in / mm)	6.5-8 / 165-203
Feed Force (FT-lbs / M-Kg)	3400-6770 / 470-926
Rotation Speed (RPM)	40-65
Rotation Torque (FT-lbs / M-Kg)	1450-2900 / 200-401
Frequency (blows / min)	2380

Exploded view



Fluid Consumption

PSI	Min	Max
New (Gal/Min)	55	93
Worn (Gal/Min)	85	145